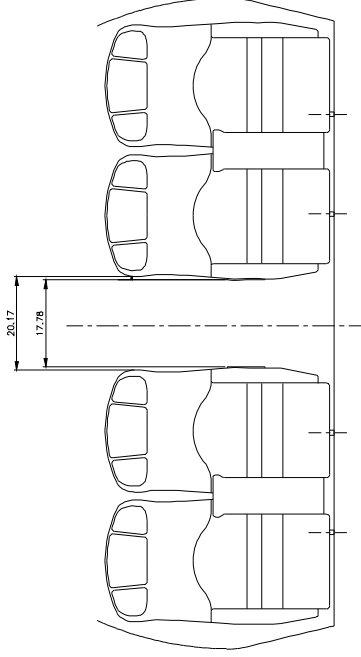
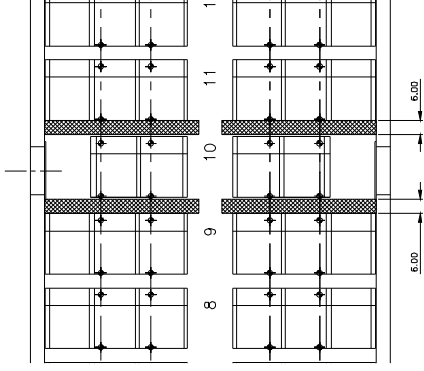


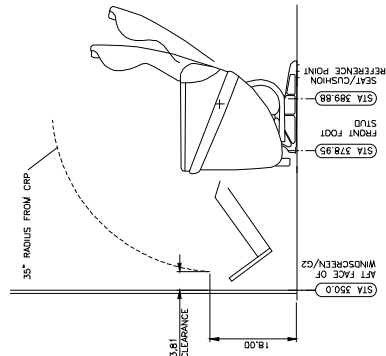
SECTION ROW 22
MINIMUM AISLE WIDTH
AFT NARROW SECTION
SCALE 1:10



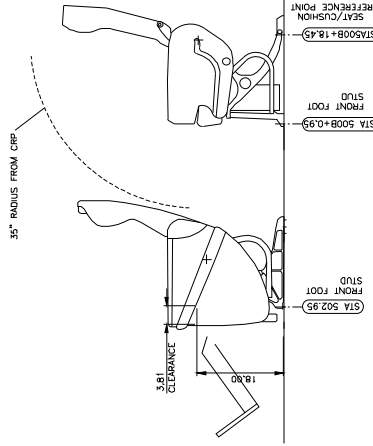
SECTION ROW 1
MINIMUM AISLE WIDTH
FWD NARROW SECTION
SCALE 1:10



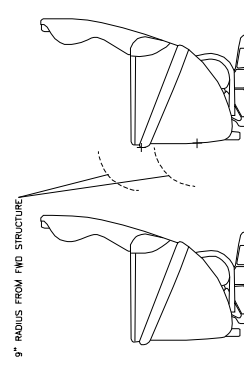
OVER WING EXIT DOORS
AISLE WIDTHS
SCALE 1:20



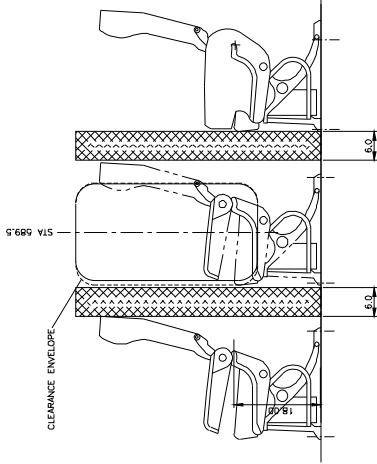
HEAD STRIKE CLEARANCE
ROW 1 LH & RH
SCALE 1:10



HEAD STRIKE CLEARANCE
ROW 4 TO 5 LH & RH
SCALE 1:10



C2C SEAT TO SEAT SPACING
CS25.362 REQUIREMENT
MINIMUM SEAT PITCH 41"
SCALE 1:10



VIEW LOOKING OUTBOARD AT
TYPE III EMERGENCY EXIT
SCALE 1:10

COMPUTER GENERATED DRAWING - NO MANUAL ALTERATION



DESIGNED BY AIRBUS
ENGINEERING SUPPORT

ISSUE	A	A	A
SCALE	AS SHOWN	AS SHOWN	AS SHOWN
NOTED	SEE DRAWING	SEE DRAWING	SEE DRAWING
DATE	2013-03-01	2013-03-01	2013-03-01
BY	AVIATION TRAFFIC LIMITED	AVIATION TRAFFIC LIMITED	AVIATION TRAFFIC LIMITED
FOR	EMERGENCY EXIT	EMERGENCY EXIT	EMERGENCY EXIT
PROJECT	EMERGENCY EXIT	EMERGENCY EXIT	EMERGENCY EXIT
CLIENT	EMERGENCY EXIT	EMERGENCY EXIT	EMERGENCY EXIT
PROJECT NO.	ATL12213-001	ATL12213-001	ATL12213-001
ISSUE NO.	1	1	1